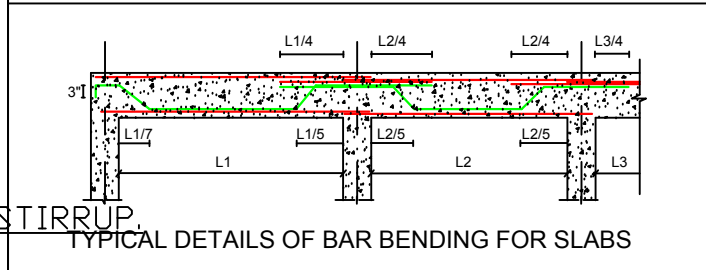
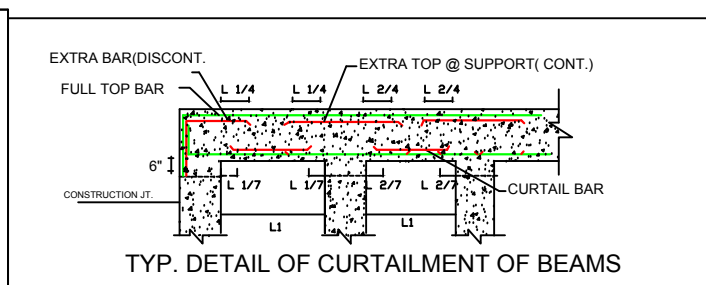
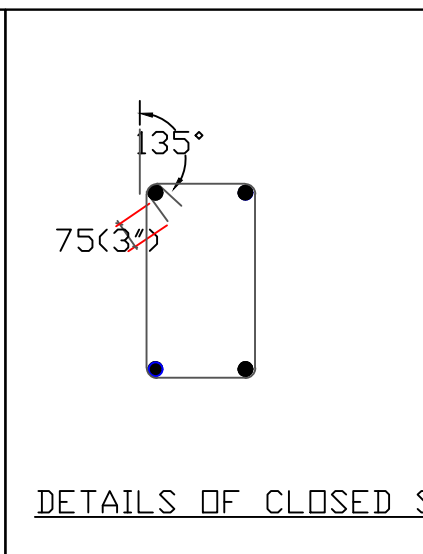
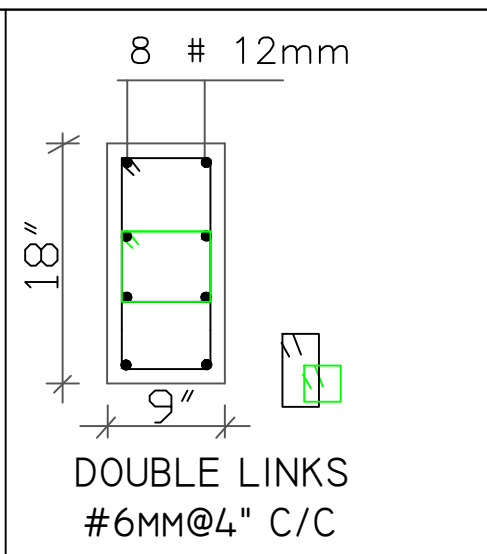
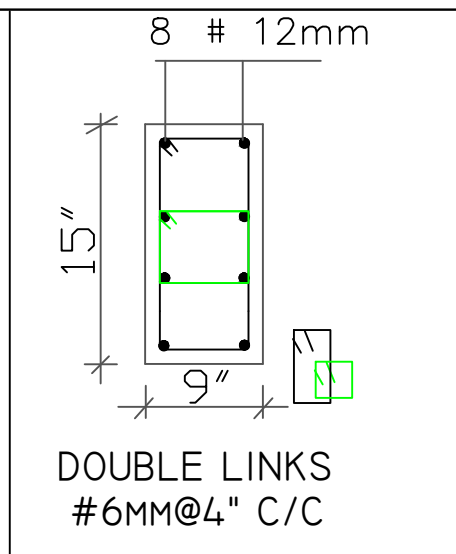
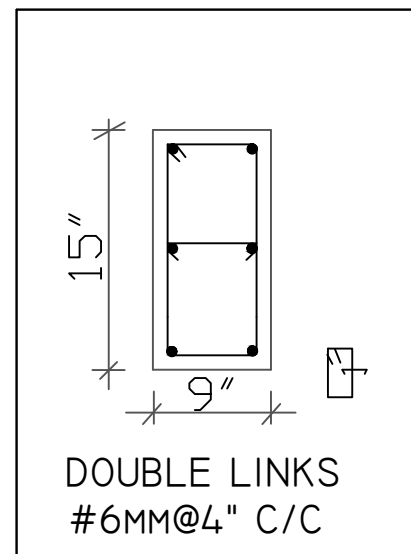


DETAILS OF COLUMNS AND FOOTING .

TYPE	P.C.C.	FOOTING				COL AT GR.FL.LVL.	
		SIZE	THK.	REINFT ALONG LONG	REINFT ALONG SHORT	SIZE	REINFT.
C 1,2,3,4 9,10,11,12	1700 X 1800	1400 X 1500	400	10 # 10 mm	11 # 10 mm	300 X 450	10 # 12mm
C 5,6,7,8	1800 X 2100	1500 X 1800	450	11 # 10 mm	13 # 10 mm	300 X 450	6# 16+4# 12
C							

STRATA – [HARD MURUM – 300KN/M<sup>2</sup>]

CLEAR COVERS FOR THE REINFORCEMENT:-				
FOOTING	COLUMNS	BEAMS	SLABS	PILES
2"(50mm)	1.5"(40mm)	1"(25mm)	0.5"(15mm)	1.5"(15mm)
LAPS FOR MAIN REINFORCEMENT:-				
COLUMNS -	46XDIAMETER OF BAR			
BEAMS & SLABS -	60 X DIA OF BAR(STRAGGERED)			
CANTILIVER BEAMS -	TOP REINFORCEMENT TO BE ANCHORED BEHIND FOR 60D OR SPAN OF CANTILEVER WHICHEVER IS GREATER			
MIX DESIGN FOR CONCRETEING WORK:-			GRADE:-	
* CONCRETE MIX FOR P.C.C.WORK:			M : 15	
* CONCRETE MIX FOR R.C.C.WORK:			M : 20 UNLESS STATED OTHERWISE	
RECOMMENDED MINIMUM TIME LIMIT FOR STRIPPING FORMWORK TO NORMAL STRUCTURAL CONCRETE WHEN THE MEMBER IS CARRYING ONLY IT'S OWN WEIGHT AS PER :- IS 456 OF 2000 :-				
TYPE OF FORMWORK	MIN.PERIOD BEFORE STRIKING FORMWORK			
(1) WALLS, COLUMNS & VERTICAL FORMWORK	24 HOURS			
(3)SLAB BOTTOMS (UP TO 4.50 M. )	7 DAYS.			
(4)SLAB BOTTOMS (ABOVE 4.50 M. )	14 DAYS.			
(5)BEAM BOTTOMS (UP TO 6.0 M. )	14 DAYS.			
(6)BEAM BOTTOMS (ABOVE 6.0 M. )	21 DAYS.			
* FOR GEOMETRIC DIMENSIONS REFER TO ARCHITECT'S DRAWING				
* ALL REINFORCEMENT TO BE C.T.D. BARS GRADE Fe-415 EXCEPT Ø6mm IN MILD STEEL				
* CONCRETING OF MAJOR STRUCTURAL ELEMENTS SHOULD ONLY BE EXECUTED AFTER APPROVAL.				
* POSITIONS BREAKING OF THE R.C MEMBER IS NOT PERMISSIBLE.				
* THE CENTERING FOR CANTILEVER SLAB OR BEAM SHALL BE REMOVED STARTING FROM THE OVERHANG END.				
* FOR SIMPLY SUPPORTED OR CONTINUOUS SLABS AND BEAMS, IT SHALL BE REMOVED STARTING FROM CENTER.				



**INFINITY – CONSULTANT**  
 Structural Consultant  
 LGF.4/5,VIJAY MILLENIUM.OPP.SAINIK SCHOOL GR.  
 SATARA KOREGAON ROAD  
 MOB:-9637686950

CLIENT:- M/S:- MANSWADESH FARMER PRODUCE COMPANY LIMITED  
 ARCH :- MR.- ADITYA SHINDE  
 ENGG :-

DRN. BY	RESH	PROJCT :
CHD. BY	YHP	PROPOSED BUILDING AT SHENAVADI TAL.- KHATAV, DIST.- SATARA
APPD. BY	YHP	DETAILS OF :
SCALE	1:100	COLUMNS & FOOTINGS
DATE	09 - 06 - 2023	